

The primary technical components of a tanning device are an artificial source of UV radiation and a mechanical structure with a defined active surface.

In the Vitality Hybrid range, the UV spectrum is generated by low-pressure lamps and UV LEDs and complemented by special red light (Beauty Light).

In the face area, the dimmable ERGOLINE UV LED board SPECTRA ensures an outstanding tanning performance thanks to the combination of UV LEDs and spaghetti lamps. The combination of UV light, red light (Beauty Light) and blue light (Activating Light) generates a particularly deep and beautiful tan.

VITALITY FUSION 50 UV

Content

Device description2

Technical data3

Dimensions.....4

Maximum exhaust pipe lengths.....5

Equipment cooling.....6

Surround cooling6

Exhaust air accessories7

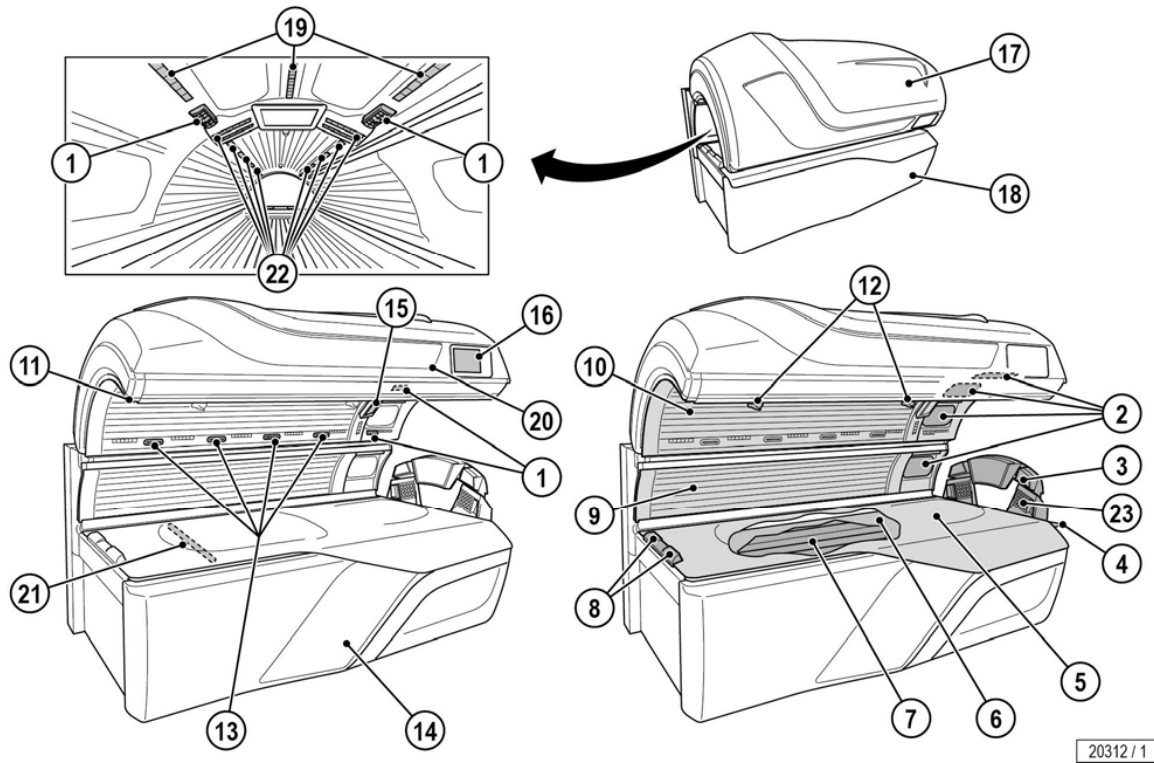
Electrical connections8

Sound system.....8

Controls8

Air conditioner.....8

Device description

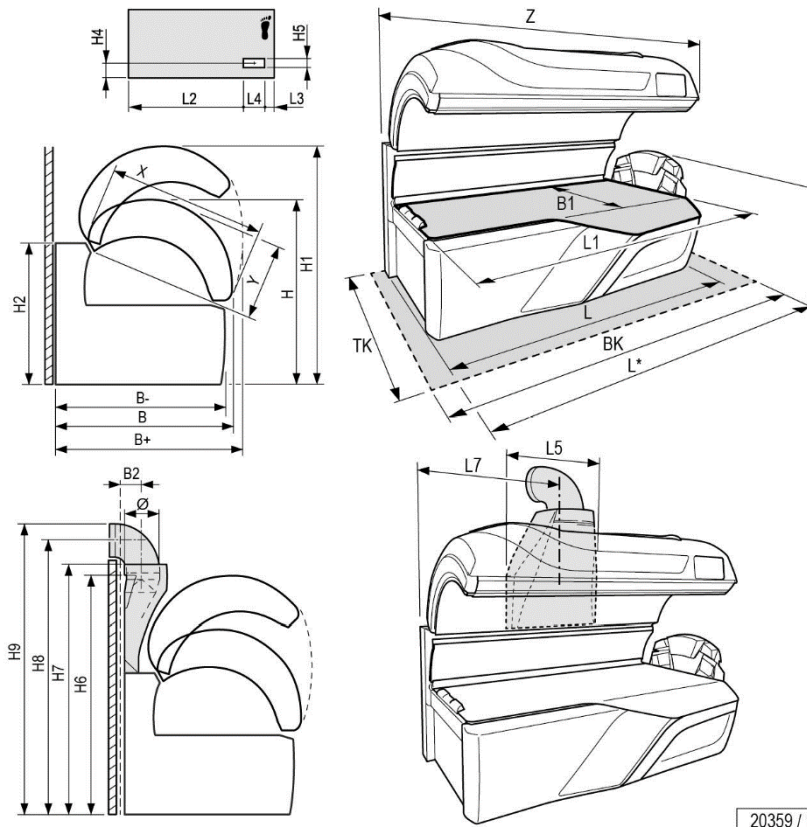


1. Adjustable air nozzles – Facial cooling/AROMA SYSTEM
2. Facial tanner (SPECTRA LED boards + low-pressure lamps)
3. Sound system, voice guide and Bluetooth® (optional)
4. Wireless charging station (Qi) for smartphones (optional)
5. Acrylic glass panel base
6. Partition
7. Low-pressure lamps, base
8. Low-pressure lamps, side section
9. Low-pressure lamps, canopy
10. Interior lighting (LEDs)
11. Interior lighting (LEDs)
12. AQUA / AROMA SYSTEM nozzles (optional)
13. Body cooling air nozzles
14. Accent floor lighting, base front panel (LED)
15. INTERIOR DISPLAY (TOUCH)
16. SELECTABLE TANNING PROGRAMS and NFC CONNECT
17. Decorative lighting, canopy (LEDs)
18. Decorative lighting, front panel (LEDs)
19. FUSION LIGHT (red & blue) face + neckline
20. EMERGENCY OFF button
21. Service Light (only with opened bed base)
22. FUSION LIGHT (red & blue) body
23. LED SHOULDER TAN (option)

Technical data

Electrical data		Noise emission	
Power consumption rating with : Air Condition Plus:	13100 W	Acoustic pressure level:	62,9 b (A)
Rated voltage:	400 – 415 V 3N~	Inlet and exhaust air	
Rated frequency:	50 Hz	Temperature difference, supply/ exhaust air:	15 °C
Rated fuses:	3 x 32 A (time delay)	Max. air requirement::	2600 m³/h
Connecting line:	H05VV-F 5G 4 mm² (scope of delivery)	Opt. ambient temperature:	25 °C – 30 °C
or		Max. ambient temperature:	15 °C – 32 °C
Rated voltage:	230 – 240 V ~3	Max. inlet air temperature:	32 °C
Rated frequency:	50 Hz	Exhaust cross section w/o exhaust system:	588 cm²
Rated fuses:	3 x 50 A (time delay)	Cabin inlet air cross section at 1.5 m/s:	4815 cm²
Connecting line:	H05VV-F 4G 10 mm²	Exhaust cross section with exhaust system:	710 cm²
Max. allowed network impedance:	0,095 Ω	Warm air return:	possible

Dimensions



B+ =	1440 mm
B =	1430 mm
B- =	1438 mm
B1 =	1155 mm
B2 =	195 mm
L* =	2353 mm
L =	2247 mm
L1 =	2200 mm
L2 =	1790 mm
L3 =	334 mm
L4 =	120 mm
L5 =	600 mm
L7 =	1120 mm
H =	1525 mm
H1 =	1862 mm
H2 =	1100 mm
H4 =	550 mm
H5 =	120 mm
H6 =	1865 mm
H7 =	1922 mm
H8 =	2229 mm
H9 =	2354 mm
X =	1132 mm
Y =	662 mm
Z =	2225 mm
Ø =	300 mm
BK =	2500 mm
TK =	2300 mm

20359 / 1

Maximum exhaust pipe lengths

Calculation base (without additional ventilator):

Back pressure	100 Pascal
Air pressure	100.000 Pascal
Exhaust air temperature	40 °C
Density	1,112 kg/m ³
Dynamic inertia of the air	1,92E-05 Pa x s

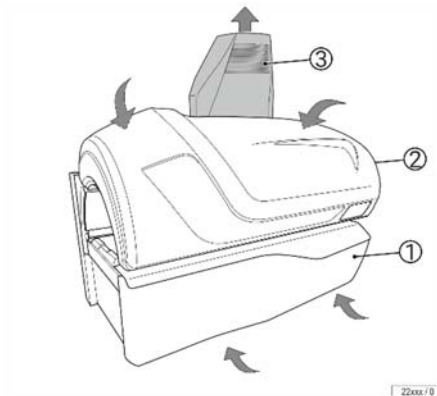
Corrugated pipe Ø	Roughness (at centre) K _{absolut}	Flow volume	Loss coefficient		90° bend in line (metal)	Permissible length of straight line
mm	mm	m/h ³	of pipe	of blend	pieces	m
300	8	2600	0,181 ¹⁾	0,24 ¹⁾	0	10
					1	9
					2	8
					3	7
Smooth pipe Ø	Roughness (at centre) K _{absolut}	Flow volume	Loss coefficient		90° bend in line (metal)	Permissible length of straight line
mm	mm	m/h ³	of pipe	of blend	pieces	m
300	0,1	2600	0,061 ¹⁾	0,21 ¹⁾	0	30
					1	26
					2	22
					3	18

¹⁾ zeta- Value (ζ)

Equipment cooling

Cabin or studio air is drawn in beneath the front panel (1) of the lower part of the sunbed and over the filter mats in the canopy (2) (inlet air) in order to cool the equipment.

The inlet air is first cleaned in a filter, then fed past the hot UV low pressure and high pressure lamps and finally expelled as warm exhaust air via the central exhaust air bracket (3) at the rear of the sunbed.



Surround cooling

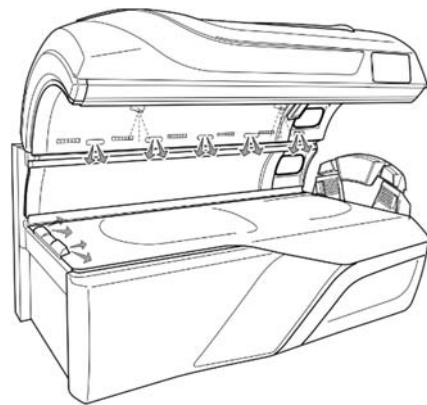
Surround air ventilation for the user is provided automatically. The intensity is adjustable in 9 steps. Cabin or studio air is drawn in and used for cooling.

In the upper part of the tanner, the air is distributed via several nozzles of the upper part. There are two separately switchable air nozzles in the head area.

Air is also drawn in via air inlet slits in the front panel of the tanning base and directed to foot nozzles at the height of the lying surface in order to flow cooling air around the body.

The user can have a pleasant cooling mist (AQUA FRESH) sprayed from the outer nozzles in the body area.

The user can pre-select the temperature of the standard air conditioning (Air Condition Plus) and thus adjust the temperature of the lying surface and body air to his or her liking.



Exhaust air accessories

Connection to a central exhaust system is possible upwards, upwards right, upwards left and to the rear. The apertures intended for this purpose are located above the central exhaust air bracket.

Corrugated pipe

Suitable device exhaust is possible with an exhaust pipe up to 10 metres in length (without 90° bend). An auxiliary fan is required for exhaust pipes longer than 10 metres.

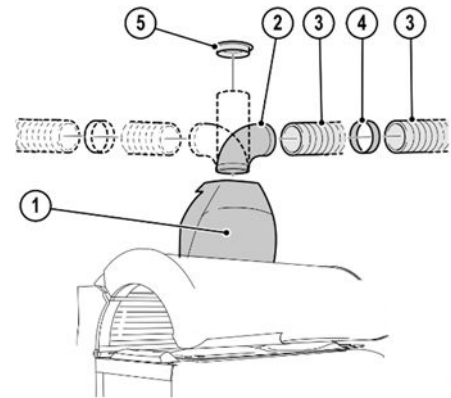
Smooth pipe

Suitable device exhaust is possible with an exhaust pipe up to 30 metres in length (without 90° bend). An auxiliary fan is required for exhaust pipes longer than 30 metres.

Warm air recycling

Warm air recycling is a technically advanced, secure device which feeds part of the hot cooling air back to the studio via a motor-controlled air choke. A thermostat provides fully automatic control of the studio temperature, between 15 °C and 25 °C as required.

The exhaust air bracket and warm air recycling can also be retrofitted.



Item	Accessory parts	Article No.	Notes
1	Central exhaust air bracket, with warm air recycling, thermostatically controlled including connector piece, see Item 4	500000872	with connection possible for exhaust air pipes (Ø 300 mm) on the top, top right, top left and to the rear
	Central exhaust air bracket, but without warm air recycling	500000873	
2	90° Pipe bend in Brilliant Silver	100001292	for inlet and exhaust air ducting to right, left or to rear, plus tube adapter for direct connection to central exhaust air bracket [possible with tube (Ø 300 mm)]
3	Corrugated pipe (Ø 300 mm, 6 m length, flexible, grey) including 2 pipe clamps	34502800	–
4	Corrugated pipe connector piece (Ø 300 mm)	34502700	for connecting two corrugated pipes
5	Connector bracket for corrugated pipe (Ø 300 mm)	34503600	connection of the corrugated pipe, e.g. to a canal

Electrical connections

Mains supply line	included
Electr. control line	none
Line for external music and channel selection	none

Sound system

LED SHOULDER TAN, Cinematic
 Sound with Bluetooth®, Wireless Charging

see sales folder

Controls

Control	Article No.	Notes
HK MICROTIMER 8250	500001653	-

Air conditioner

Standard equipment: Air Condition Plus for lying surface and Surround Cooling with fully integrated air conditioning for body cooling.