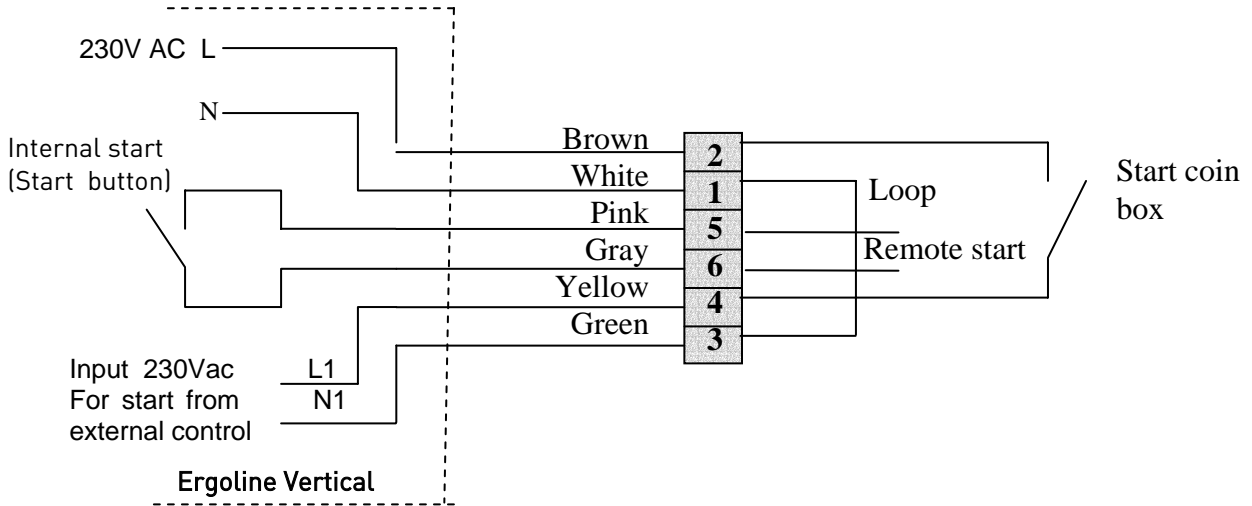
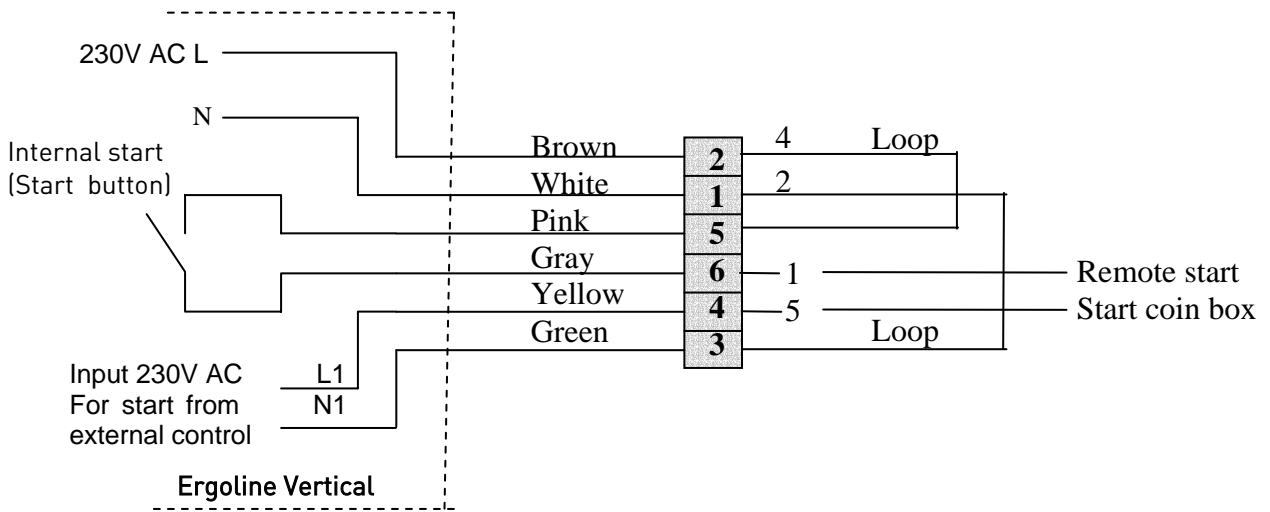


Connection coin boxes

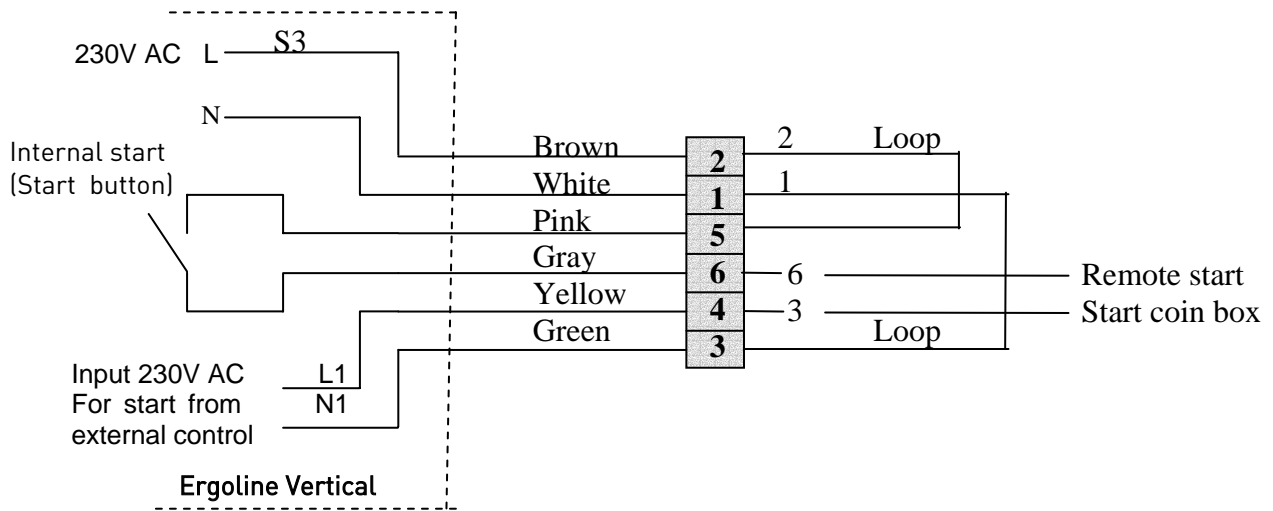
1. Coin box (230V)



2. Ergoline coin box (24V) with external adapter



3. Ergoline sunbed interface I



Description of the wiring from the sunbed interface I:

Wiring number	Description
1.	Neutral (N)
2.	Phase (L1)
3.	Lamps
4.	Not in use
5.	Fans
6.	Remote start (Phase (L1) required)